

SGA1 SINGLE CYLINDER KNIFE VALVE



COMAV'S SLIDE GATE VALVE SGA1 is designed to shut off the flow of product from outlets of dry bulk storage bins, silos, conveyors and other discharge points. SGA1 single cylinder is used where dust sealing is request, thank to self-calibrated spring that extend the service life by compensating for wear. The slide gate valve meets the most demanding application on the market.

APPLICATIONS

- GRAVIMETRIC FLOW
- POWDER
- GRANULE
- PELLETS

DESIGN

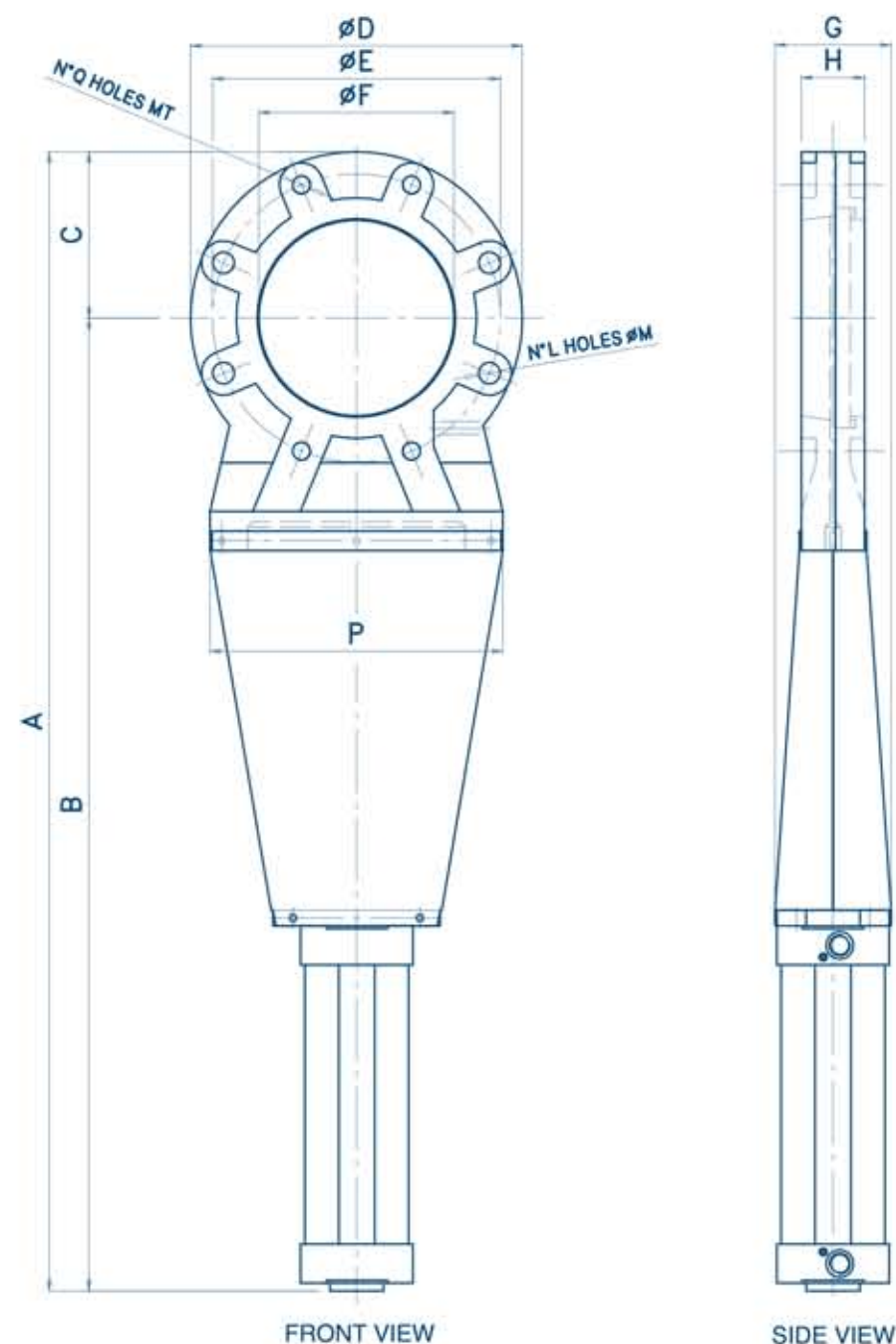
- SIZE: DN 150, DN 200, DN 250
- BODY: CASTING ALUMINIUM
- BLADE: STAINLESS STEEL AISI 304/316L
- MAIN SEAL: NOVATRON
- OPERATION: SINGLE CYLINDER, HANDWHEEL

OPTIONALS

- SPECIAL EXECUTION FOR ABRASIVE PRODUCT
- FOOD GRADE APPROVED MATERIAL
- VARIOUS CHEMICAL TREATMENT ON BODY/FLAP
- VARIOUS SEAL MATERIAL
- HIGH TEMPERATURE VERSION
- CUSTOM SIZE

FEATURES

- PRESSURE: ATM, 1 BAR
- TEMPERATURE: MAX 100 °C
- RUGGED DESIGN
- LONG LIFE



	A	B	C	D	E	F	G	H	L x ØM	P	Q x MT
150	935	795	140	280	Ø240	Ø153	115	65	4 x Ø22	270	4 x M20
200	1130	960	170	340	Ø295	Ø200	115	65	4 x Ø22	300	4 x M20
250	1325	1130	195	390	Ø350	Ø254	140	65	6 x Ø22	360	6 x M20

BROCHURE



COMPLIANCE



II 2/3DC T135*