

SGA2 DOUBLE CYLINDER KNIFE VALVE

COMAV'S SLIDE GATE VALVE SGA2 is designed to shut off the flow of product from outlets of dry bulk storage bins, silos, conveyors and other discharge points, it is recommended for hopper with weighting cells and dosing unit avoiding any problem of balance with consequence reading error.

SGA2 double cylinders is used where dust sealing is request, thank to self-calibrated spring that extend the service life by compensating for wear.

The slide gate valve meets the most demanding application on the market, with its compact size reduces the encumbrance problem allowing a wide variety of installations.



APPLICATIONS

- GRAVIMETRIC FLOW
- POWDER
- GRANULE
- PELLETS

DESIGN

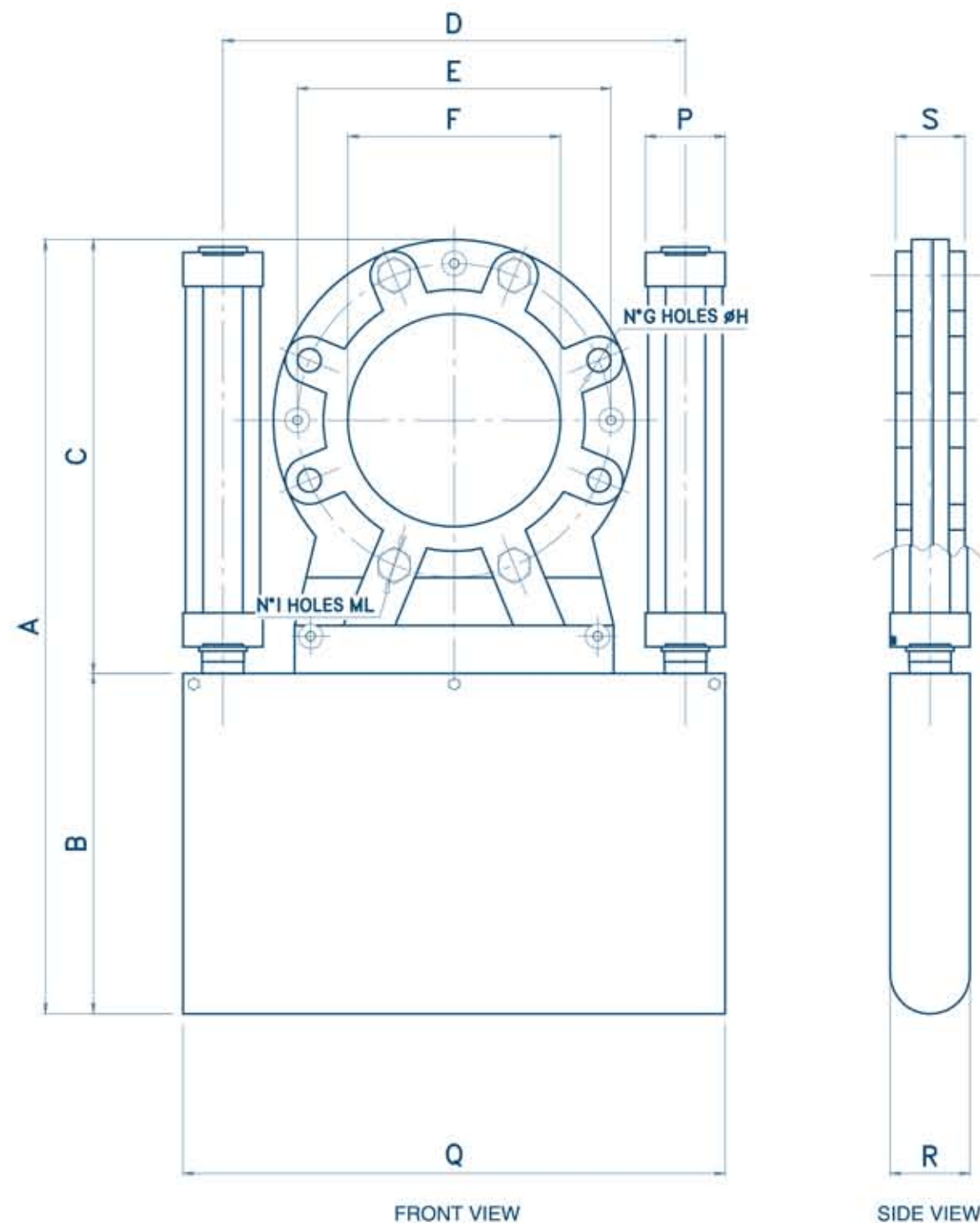
- SIZE: DN 150, DN 200, DN 250
- BODY: CASTING ALUMINIUM
- BLADE: STAINLESS STEEL AISI 304/316L
- MAIN SEAL: NOVATRON
- OPERATION: DOUBLE CYLINDER

FEATURES

- PRESSURE: ATM, 1 BAR
- TEMPERATURE: MAX 100 °C
- RUGGED DESIGN
- LONG LIFE

OPTIONALS

- SPECIAL EXECUTION FOR ABRASIVE PRODUCT
- FOOD GRADE APPROVED MATERIAL
- VARIOUS CHEMICAL TREATMENT ON BODY/FLAP
- VARIOUS SEAL MATERIAL
- HIGH TEMPERATURE VERSION
- CUSTOM SIZE



	A	B	C	D	E	F	G x H	I x ML	P	R	S	Q
150	670	295	375	386	Ø240	Ø153	4 x Ø22	4 x M20	95	112	65	485
200	770	345	425	441	Ø295	Ø200	4 x Ø22	4 x M20	95	112	65	540
250	895	395	500	515	Ø350	Ø254	6 x Ø22	6 x M20	115	112	65	640

BROCHURE



COMPLIANCE



II 2/3DC T135*