

COMAV'S BLOW THROUGH ROTARY VALVES are designed to handle pneumatic conveying in dilute and dense phase for every industrial application such as food, plastic, rubber, chemical, pharmaceutical and mining. Thanks to COMAV'S TECHNOLOGY our valve is used for powder and fine products assuring a perfect reliability and meeting a wide range of customer's requirements. The round flange allows an easy connection with line/equipment.



APPLICATIONS

- POWDER
- FINE PRODUCTS
- VACUUM CONVEYING
- PNEUMATIC CONVEYING

DESIGN

- FLANGING: ROUND UNI PN 10
- SIZE: DN200, DN250
- HOUSING: CAST IRON CASTING
- ROTOR: WELDED CARBON STEEL OR STAINLESS STEEL AISI 304, AISI 316L
- DRIVE: CHAIN TRANSMISSION AS STANDARD OR DIRECT DRIVE. AVAILABLE IN BARE SHAFT VERSION. ALL OUR DRIVES CAN BE CONTROLLED BY INVERTER.
- ROBUST & COMPACT DESIGN WITH MINIMAL ROTOR TOLERANCE

FEATURES

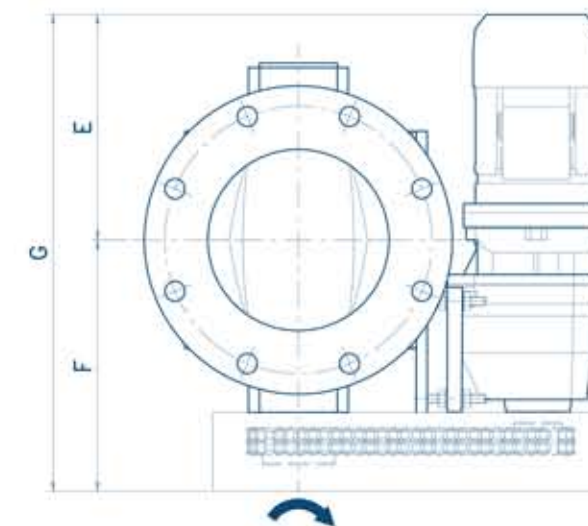
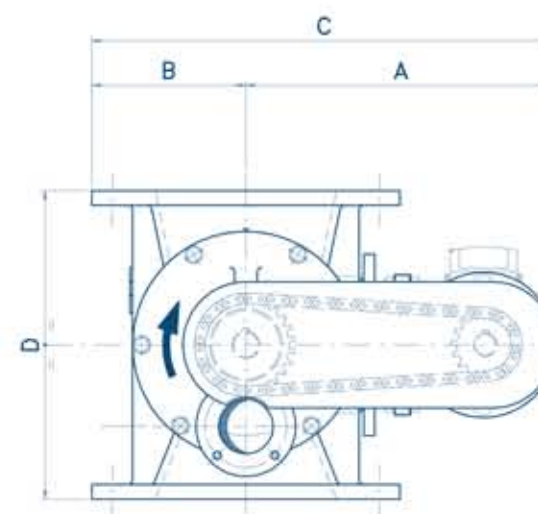
- PRESSURE: 1,5 BAR
- TEMPERATURE: MAX 65 °C
- AIR LEAKAGE: SEE CHART
- INTEGRATED CASTING INNER HOPPER (BETTER FILLING EFFICIENCY)
- 8 VANES OPEN ENDS ROTOR

OPTIONALS

- DIFFERENT ROTORS FOR DIFFERENT PRODUCTS
- NICKEL COATING
- NICKEL COATING FOOD GRADE
- HARD CHROMIUM PLATING
- VARIOUS POLISHING DEGREES
- FOOD GRADE GASKET
- HIGH TEMPERATURE CONFIGURATION
- FEEDING HOPPER COMPLETE WITH AIR INTAKES
- AIR BLOW-IN PURGE
- AIR INTAKES HOLES ON HOUSING
- SPEED DISPLAY
- SPEED CONTROLLER



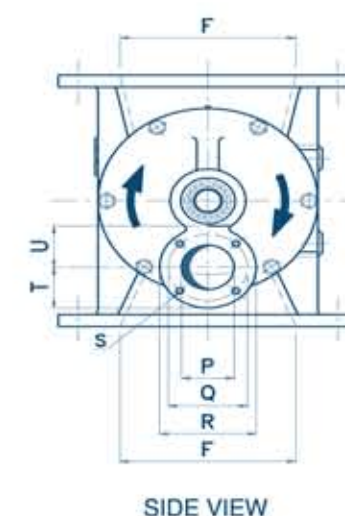
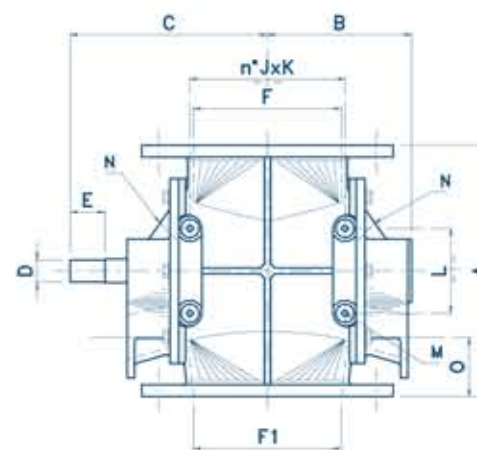
SIDE VIEW



TOP VIEW

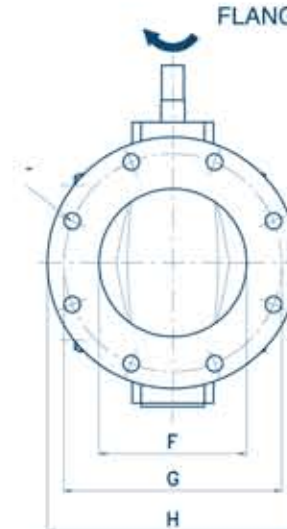
	A	B	C	D	E	F	G	L./Rev.	Rev./1' max	POWER	WEIGHT
200	360	ø340	340	250	280	530	515	4,5	30	Kw 0.55	Kg 110
250	410	ø395	400	255	295	550	550	8	30	Kw 0.75	Kg 130

FRONTAL VIEW



SIDE VIEW

FLANGING VIEW



	A	B	C	D	E	F	F1	G	H	I	J	K
200	340	190	267	ø30	47	ø200	ø200	ø295	ø340	ø22	1	210
250	400	205	282	ø30	47	ø265	ø250	ø350	ø395	ø22	2	117,5

	L	M	O	P	Q	R	S	T	U	L./Rev.	N
200	115	ø22	80	ø60	ø90	ø110	M10	55	55	4,5	1/8" GAS
250	125	ø22	95	ø77	ø110	ø130	M10	65	65	8	1/8" GAS

BROCHURE



COMPLIANCE



II 1/3DC T135~ II 2/3DC T135*