



MIX S.r.l.
MIXING SYSTEMS AND
COMPONENTS FOR PLANTS

www.mixitaly.com

Technical data sheet

Interception



 **ATEX RANGE AVAILABLE**

Butterfly Valve Combination table



SVA

H

Identification

- N: Standard
- A: Atex II 2/3D Ex h IIIB T100°C Db/Dc X

Classification MSD

Nominal diameter
 100 - 150 - 200 - 250
 300 - 350 - 400

Shaft

- A2: Square drive shaft
ISO 5211
- C2: Splined drive shaft
DIN 5482
- K2: Extended square drive shaft
ISO 5211
- L2: Extended splined drive shaft
DIN 5482

Fig.01

Seal

- A: Standard powder seal in atmospheric pressure
- B: Seal tested to 0,2 bar over/under pressure
(tested at ambient temperature)
Note: SVA 350 - SVA 400 excluded

**Body of the valve always in aluminium alloy.
 Closing Disk and profile of the seal:**

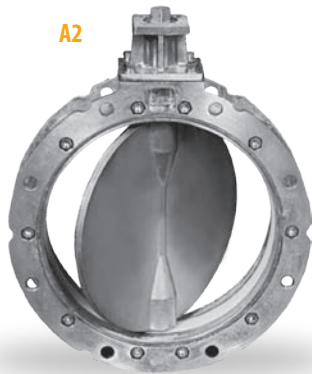
- 6: closing disk in aluminium alloy, low seal
- 7: closing disk in stainless steel AISI304, low seal
- 8: closing disk in stainless steel AISI304, high seal,
covering the inside of the body and the flanges
- 9: closing disk in aluminium alloy, high seal, covering the inside of the body and the flanges

| MATERIAL OF THE SEAL AND WORKING TEMPERATURES | | | | | |
|---|-----------------------------|-------|------------|------------------|-----------------|
| VERSION | MATERIAL | COLOR | PROFILE | STANDARD | ATEX |
| 1 | NBR | White | High / Low | -20°C / + 100°C | -20°C / + 100°C |
| 2 | NBR Certificate FDA | | High | -20°C / + 100°C | |
| 5 | HNBR-THERBAN | Black | High / Low | -25°C / + 150°C* | |
| 9 | NBR Certificate 1935/2004** | White | High | -20°C / + 100°C | |

* Possibility of range -25°C / +230°C with specific construction solutions IL0945 applicable only for extended drive shaft versions and Viton seal

** Valve with Declaration of conformity for food contact according to Regulations (EC) n. 1935/2004 and 2023/2006

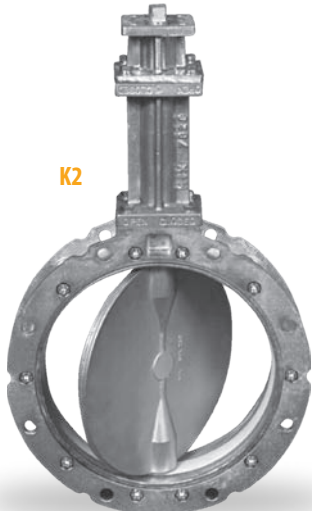
Fig.01



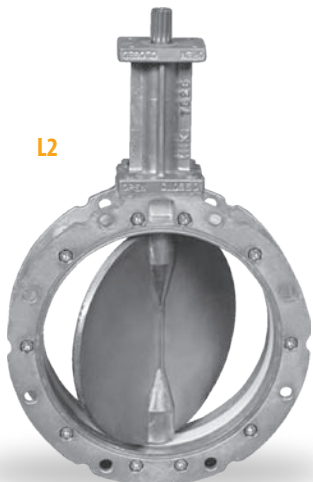
A2



C2

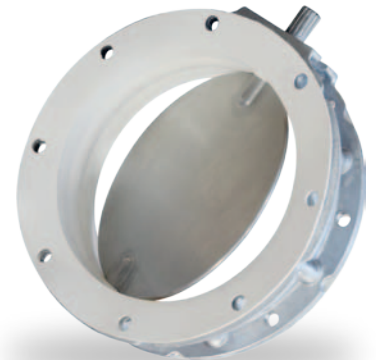


K2

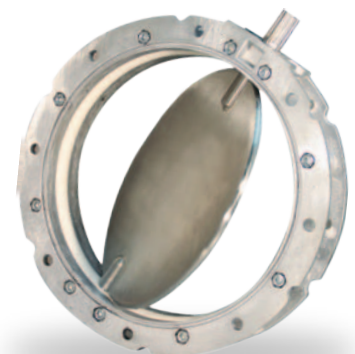


L2

Seal covering the whole inside body and the flanges "HIGH"

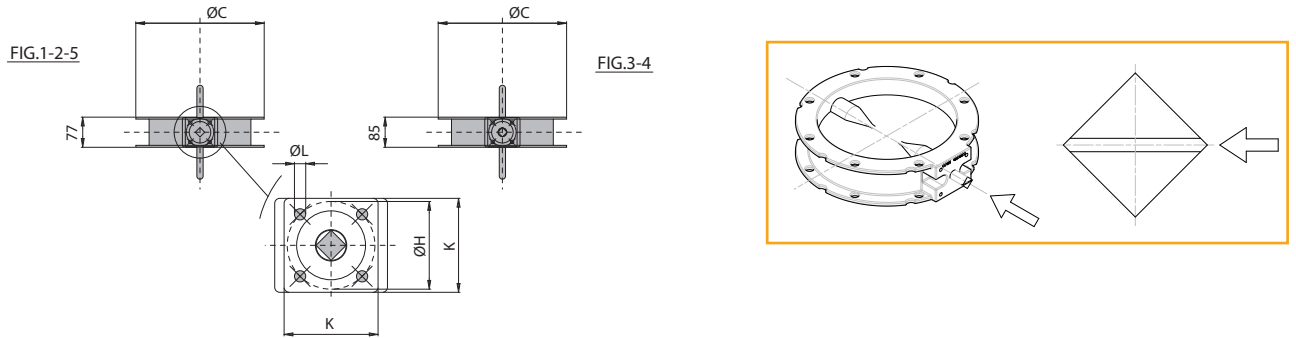


Seal only in the closing area of the disk "LOW"

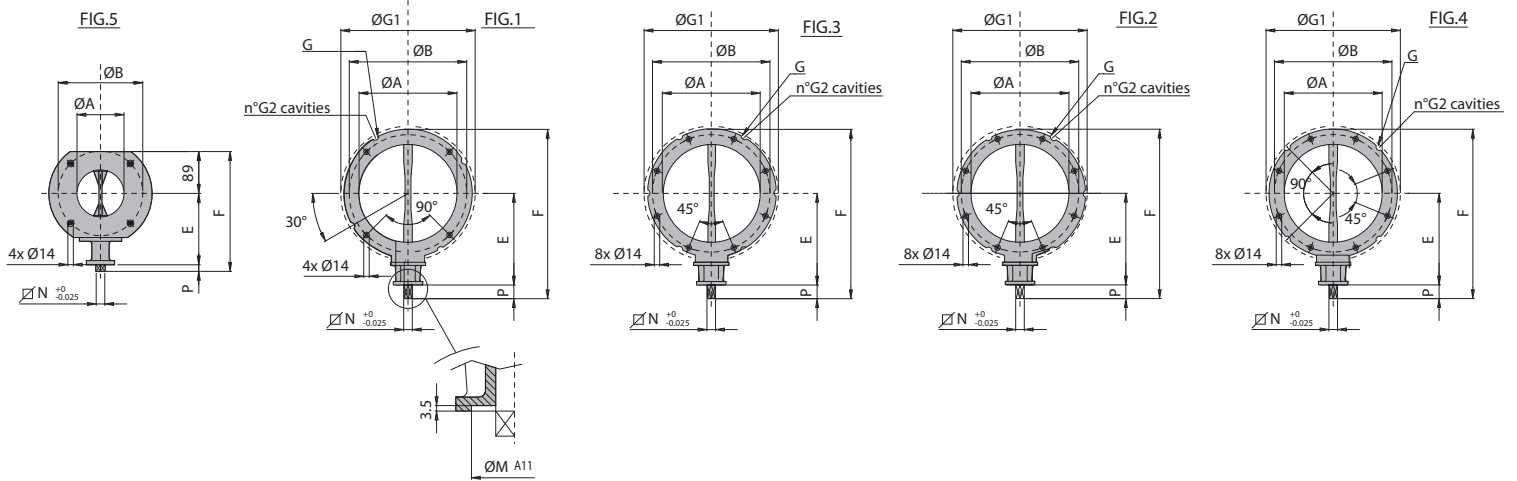


Dimensions

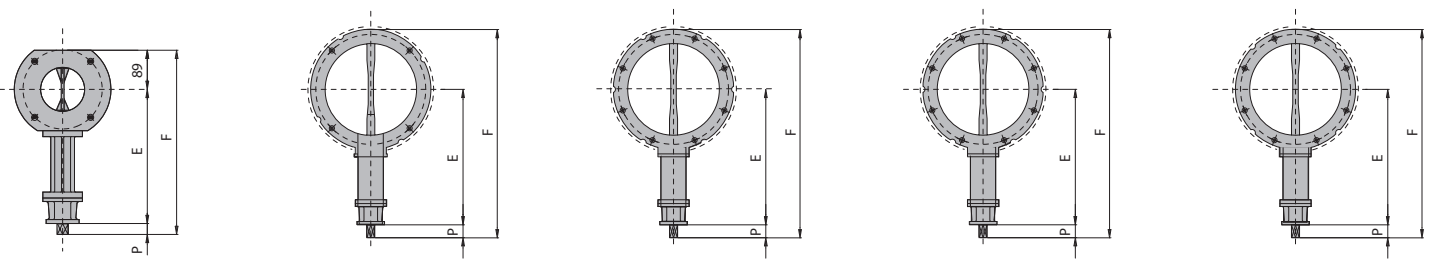
.-SVAH...A2... / .-SVAH...K2...



Square drive shaft



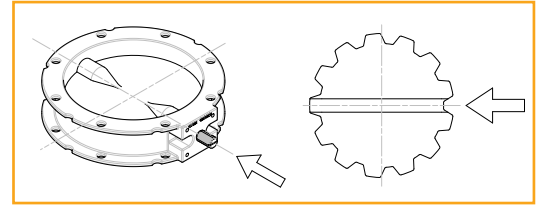
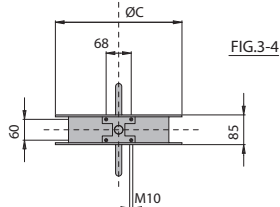
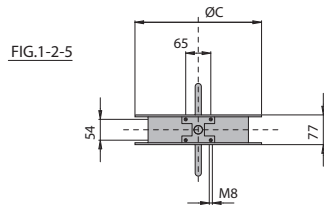
Extended square drive shaft



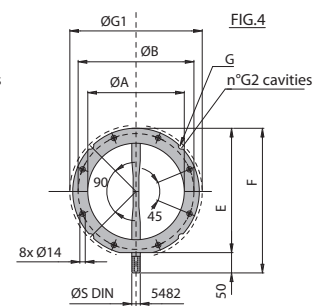
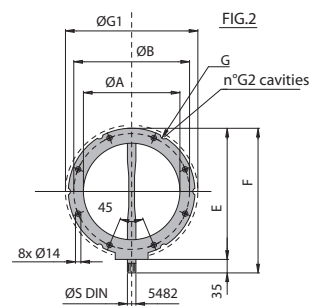
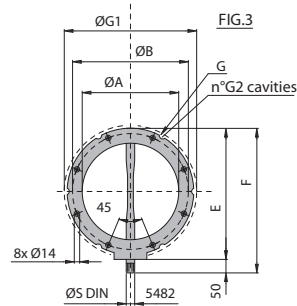
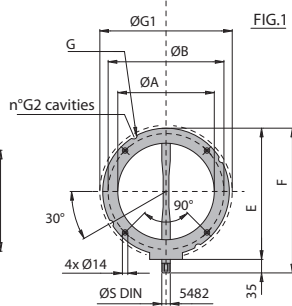
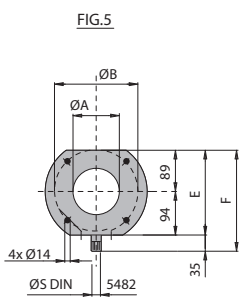
| | | | .-SVAH...2... | | | | | | | | | | | | | | | A2... | | K2... | | | | |
|----------------|------|-----|---------------|-----|-----|-----|-----|------|-----|----|----|----|-----|-----|----|----|----|-------|-----|-------|------|-----|-----|------|
| TYPE | Inch | mm | Fig. | ISO | A | B | C | G | G1 | G2 | PN | ND | H | K | L | M | N | P | E | F | kg | E | F | kg |
| .-SVAH100.2... | 4" | 100 | 5 | F05 | 100 | 180 | 220 | / | / | / | 10 | 10 | 50 | 60 | 7 | 35 | 14 | 14 | 152 | 255 | 5 | 306 | 409 | 6,3 |
| .-SVAH150.2... | 6" | 150 | 1 | F07 | 150 | 200 | 228 | 9 | 225 | 4 | 6 | 6 | 70 | 75 | 9 | 55 | 17 | 16 | 177 | 307 | 5,5 | 331 | 461 | 6,8 |
| .-SVAH200.2... | 8" | 200 | 1 | F07 | 200 | 250 | 278 | 9 | 280 | 4 | 6 | 6 | 70 | 75 | 9 | 55 | 17 | 16 | 202 | 356 | 7,5 | 356 | 510 | 8,8 |
| .-SVAH250.2... | 10" | 250 | 2 | F07 | 250 | 300 | 328 | 9 | 335 | 6 | 6 | 6 | 70 | 75 | 9 | 55 | 17 | 16 | 227 | 406 | 8,5 | 381 | 560 | 9,8 |
| .-SVAH300.2... | 12" | 300 | 2 | F07 | 300 | 350 | 378 | 11 | 395 | 6 | 6 | 6 | 70 | 75 | 9 | 55 | 17 | 16 | 252 | 456 | 11,5 | 406 | 610 | 12,8 |
| .-SVAH350.2... | 14" | 350 | 3 | F10 | 350 | 400 | 440 | 11 | 445 | 6 | 6 | 6 | 102 | 105 | 11 | 70 | 22 | 25 | 289 | 534 | 20 | 489 | 735 | 21,8 |
| .-SVAH400.2... | 16" | 400 | 4 | F10 | 400 | 470 | 530 | 12,5 | 515 | 4 | 10 | 10 | 102 | 105 | 11 | 70 | 22 | 25 | 314 | 604 | 23 | 514 | 804 | 24,8 |

Dimensions

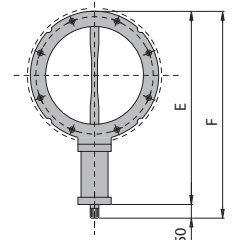
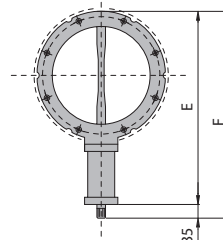
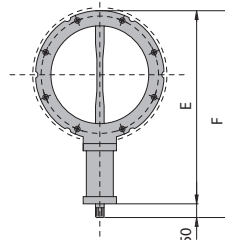
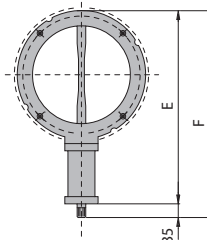
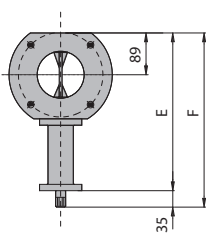
.-SVAH...C2... / .-SVAH...L2...



Spined drive shaft



Extended spined drive shaft



| | | | .-SVAH...2... | | | | | | | | | | C2... | | L2... | | | |
|----------------|------|-----|---------------|-----|-----|-----|------|-----|----|------|------|-------|-------|-----|-------|-----|-----|------|
| TYPE | Inch | mm | Fig. | A | B | C | G | G1 | G2 | PN | ND | S | E | F | kg | E | F | kg |
| .-SVAH100.2... | 4" | 100 | 5 | 100 | 180 | 220 | / | / | / | PN10 | ND10 | 22x19 | 183 | 218 | 4,5 | 337 | 372 | 5,8 |
| .-SVAH150.2... | 6" | 150 | 1 | 150 | 200 | 228 | 9 | 225 | 4 | PN6 | ND6 | 22x19 | 233 | 268 | 5 | 387 | 422 | 6,3 |
| .-SVAH200.2... | 8" | 200 | 1 | 200 | 250 | 278 | 9 | 280 | 4 | PN6 | ND6 | 22x19 | 282 | 317 | 7 | 436 | 471 | 8,3 |
| .-SVAH250.2... | 10" | 250 | 2 | 250 | 300 | 328 | 9 | 335 | 6 | PN6 | ND6 | 22x19 | 332 | 367 | 8 | 486 | 521 | 9,3 |
| .-SVAH300.2... | 12" | 300 | 2 | 300 | 350 | 378 | 11 | 395 | 6 | PN6 | ND6 | 22x19 | 382 | 417 | 11 | 536 | 571 | 12,3 |
| .-SVAH350.2... | 14" | 350 | 3 | 350 | 400 | 440 | 11 | 445 | 6 | PN6 | ND6 | 28x25 | 439 | 489 | 20 | 639 | 689 | 22,3 |
| .-SVAH400.2... | 16" | 400 | 4 | 400 | 470 | 530 | 12,5 | 515 | 4 | PN10 | ND10 | 28x25 | 509 | 559 | 23 | 709 | 759 | 25,4 |

Accessories Butterfly Valve

SLEEVE FOR FLEXIBLE CONNECTION - SFU

SFU



B

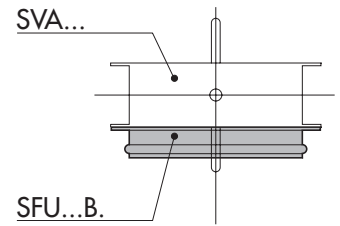
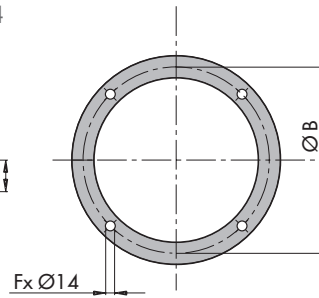
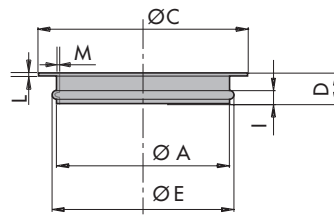


Round flange

Nominal diameter
100 - 150 - 200 - 250
300 - 350 - 400

Construction material
2 = Stainless steel AISI 304
8 = Aluminium

| INTERNAL ASSEMBLY CODE MIX | |
|----------------------------|------------------------|
| HAS10 | SFU with .-SVAH100÷200 |
| HAS20 | SFU with .-SVAH250÷400 |



| Type | Inch | ØA | ØB | ØC | D | ØE | F | I | L | M | kg |
|----------|------|-----|-----|-----|----|-----|---|----|----|---|-----|
| SFU100B2 | 4" | 100 | 180 | 220 | 46 | 106 | 4 | 18 | 4 | 2 | 1,1 |
| SFU150B2 | 6" | 150 | 200 | 225 | 46 | 156 | 4 | 18 | 8 | 2 | 1,6 |
| SFU200B2 | 8" | 200 | 250 | 275 | 46 | 206 | 4 | 18 | 8 | 2 | 2,1 |
| SFU250B2 | 10" | 250 | 300 | 325 | 46 | 256 | 8 | 18 | 8 | 2 | 2,6 |
| SFU300B2 | 12" | 300 | 350 | 375 | 46 | 306 | 8 | 18 | 8 | 2 | 3,0 |
| SFU350B2 | 14" | 350 | 400 | 436 | 50 | 356 | 8 | 18 | 8 | 2 | 4,0 |
| SFU400B2 | 16" | 400 | 470 | 525 | 50 | 406 | 8 | 18 | 10 | 2 | 7,9 |

| Type | ØA | ØB | ØC | D | ØE | F | I | L | M | kg |
|----------|-----|-----|-----|----|-----|---|----|-----|-----|-----|
| SFU100B8 | 110 | 180 | 220 | 48 | 125 | 4 | 12 | 2,5 | 2,5 | 0,5 |
| SFU150B8 | 164 | 200 | 228 | 48 | 178 | 4 | 12 | 2,5 | 2,5 | 0,6 |
| SFU200B8 | 210 | 250 | 278 | 48 | 223 | 4 | 12 | 2,5 | 2,5 | 0,7 |
| SFU250B8 | 265 | 300 | 328 | 48 | 275 | 8 | 12 | 2,5 | 2,5 | 1,1 |
| SFU300B8 | 315 | 350 | 378 | 48 | 328 | 8 | 12 | 2,5 | 2,5 | 1,3 |
| SFU350B8 | 354 | 400 | 440 | 53 | 356 | 8 | 12 | 3 | 3 | 1,9 |
| SFU400B8 | 404 | 470 | 530 | 53 | 417 | 8 | 12 | 3 | 3 | 2,7 |

FLANGE - KFT

KFT



Flange

Nominal diameter
100 - 150 - 175 - 200
250 - 300 - 350 - 400

Construction material
1 = Carbon steel
2 = Stainless steel AISI 304

* KFT 100

KFT 150 ÷ KFT 400

KFT...A.

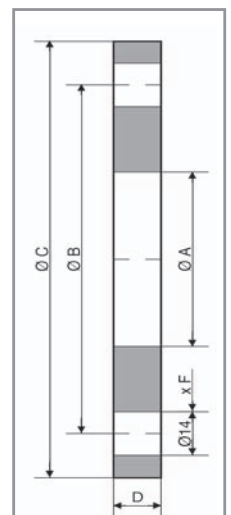
KFT...C.

KFT....

| Type | Ø A | Ø B | Ø C | D | kg |
|------------|-----|-----|-----|---|------|
| * KFT100A1 | 116 | 180 | 220 | 6 | 1,29 |
| * KFT100A2 | 116 | 180 | 220 | 4 | 0,86 |
| KFT150A. | 170 | 200 | 228 | 6 | 0,85 |
| KFT175A. | 195 | 250 | 278 | 8 | 1,94 |
| KFT200A. | 221 | 250 | 278 | 6 | 1,05 |
| KFT250A. | 275 | 300 | 328 | 6 | 1,18 |
| KFT300A. | 325 | 350 | 378 | 6 | 1,38 |

| Type | Ø A | Ø B | Ø C | D | kg |
|------------|-----|-----|-----|----|------|
| * KFT100C1 | 103 | 180 | 220 | 6 | 1,40 |
| * KFT100C2 | 103 | 180 | 220 | 4 | 0,93 |
| KFT150C. | 155 | 200 | 228 | 6 | 1,03 |
| KFT200C. | 205 | 250 | 278 | 6 | 1,30 |
| KFT250C. | 256 | 300 | 328 | 6 | 1,56 |
| KFT300C. | 305 | 350 | 378 | 6 | 1,84 |
| KFT350C. | 358 | 400 | 440 | 6 | 2,42 |
| KFT400C. | 409 | 470 | 530 | 10 | 7,01 |

| x F | SVA |
|-----|-----|
| 4 | 100 |
| 4 | 150 |
| 4 | 200 |
| 8 | 250 |
| 8 | 300 |
| 8 | 350 |
| 8 | 400 |



Actuators Butterfly Valve

RAB

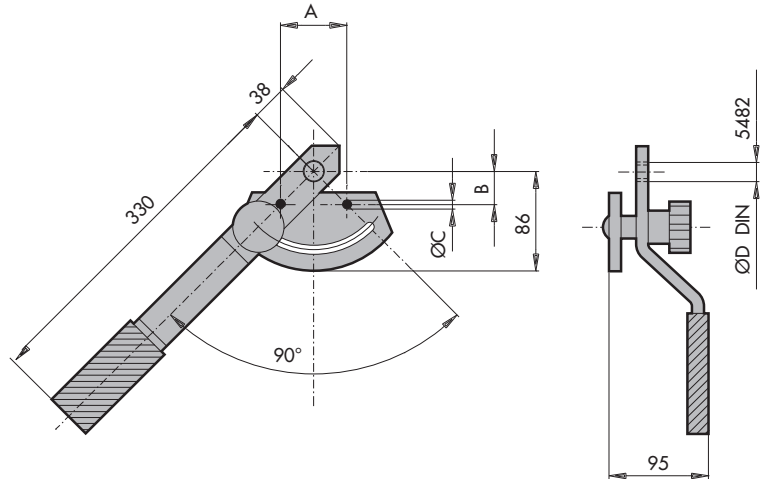


C

| TYPE | A | B | C | D | kg | SVA |
|--------|----|----|------|------------------|-----|-----------|
| RAB22C | 65 | 27 | 8,5 | 22 X 18 DIN 5482 | 1,7 | 100 - 300 |
| RAB28C | 68 | 30 | 10,5 | 28 X 25 DIN 5482 | 2 | 350 - 400 |

Manual actuator

Size
22 - 28



RAM



C



N

| INTERNAL ASSEMBLY CODE MIX | |
|----------------------------|------------------------|
| HAM10 | RAM with SVAH100 ÷ 400 |

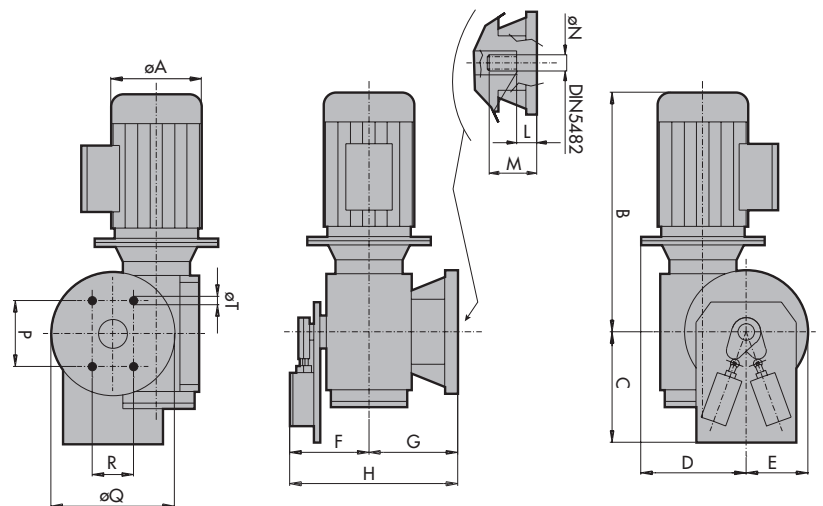
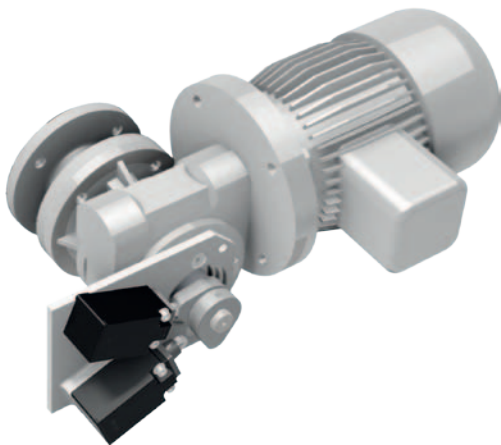
Size
22 - 28

Qty of limit switches mod. FR515

- 2: limit switch
- 3: limit switch

Geared motor actuator

Only available for NON-ATEX version



| TYPE | A | B | C | D | E | F | G | H | L | M | N | P | Q | R | T | kW | Nm* | kg | SVA |
|----------|-----|-----|-----|-----|----|-----|-----|-----|----|----|----------------|----|-----|----|------|------|-----|----|---------|
| RAM22C.N | 125 | 255 | 115 | 115 | 55 | 95 | 110 | 205 | 16 | 37 | 22X19 DIN 5482 | 65 | 110 | 54 | 8,5 | 0,20 | 100 | 10 | 100÷300 |
| RAM28C.N | 140 | 300 | 115 | 120 | 70 | 105 | 120 | 225 | 16 | 37 | 28X25 DIN 5482 | 68 | 120 | 60 | 10,5 | 0,37 | 150 | 18 | 350÷400 |

* The torque value refers to the available starting torque for a maximum duration of 2".



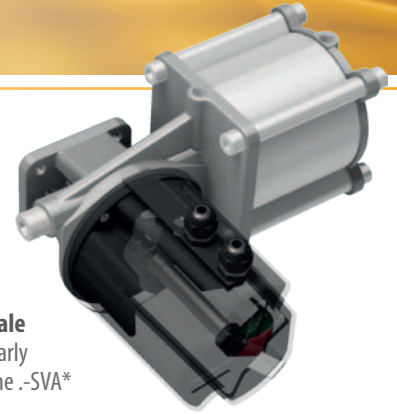
RAP C

**Double acting
pneumatic actuator**

**Cylinder diameter
080 - 100 - 125**

**Cover
A: high
B: low**

**Conditions of sale
P: Packed singularly
M: mounted to the -SVA***
*see p.9



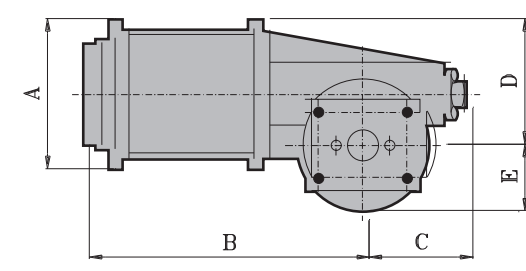
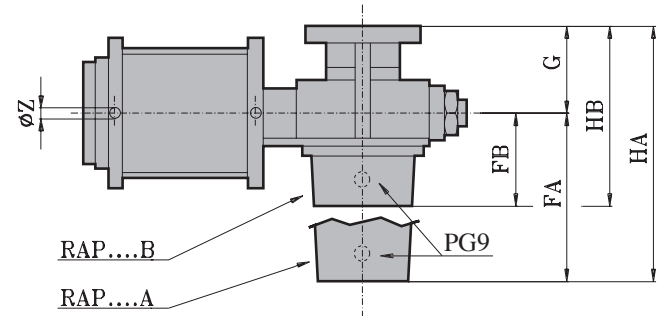
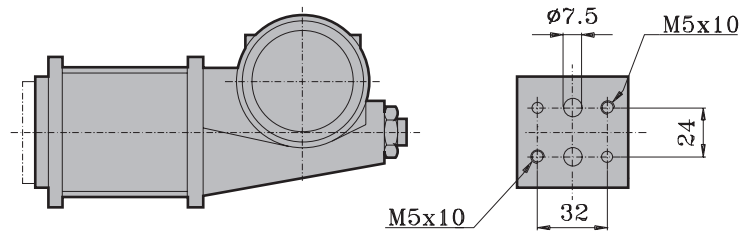
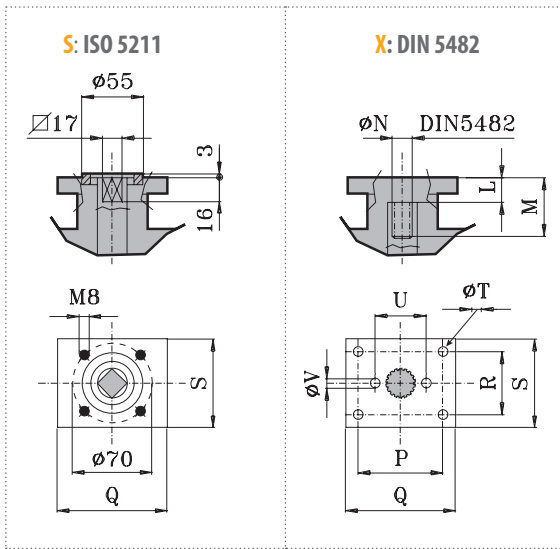
Identification

N: Standard
A: Atex II 3D Ex h IIIB T100°C Dc X

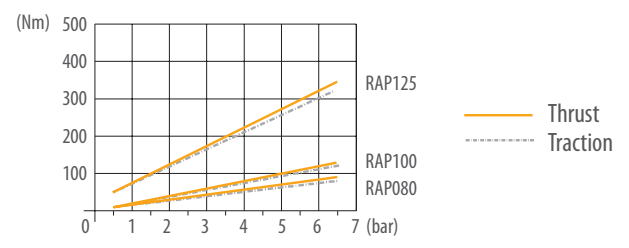
Shaft coupling

S: ISO 5211 square drive coupling
X: DIN 5482 splined drive coupling

| COMBINATION TABLE | |
|-------------------|-----------------|
| ISO 5211 | DIN 5482 |
| .-RAPC080S. | .-RAPC080X. |
| .-RAPC100S. | .-RAPC100X. |
| | .-RAPC125XA. |



| TYPE | Air consumption for operation | Operation time @ 6 bar |
|-----------|-------------------------------|------------------------|
| .-RAPC080 | 1,8 NI | ~ 0,5 s |
| .-RAPC100 | 2,8 NI | |
| .-RAPC125 | 7,6 NI | |



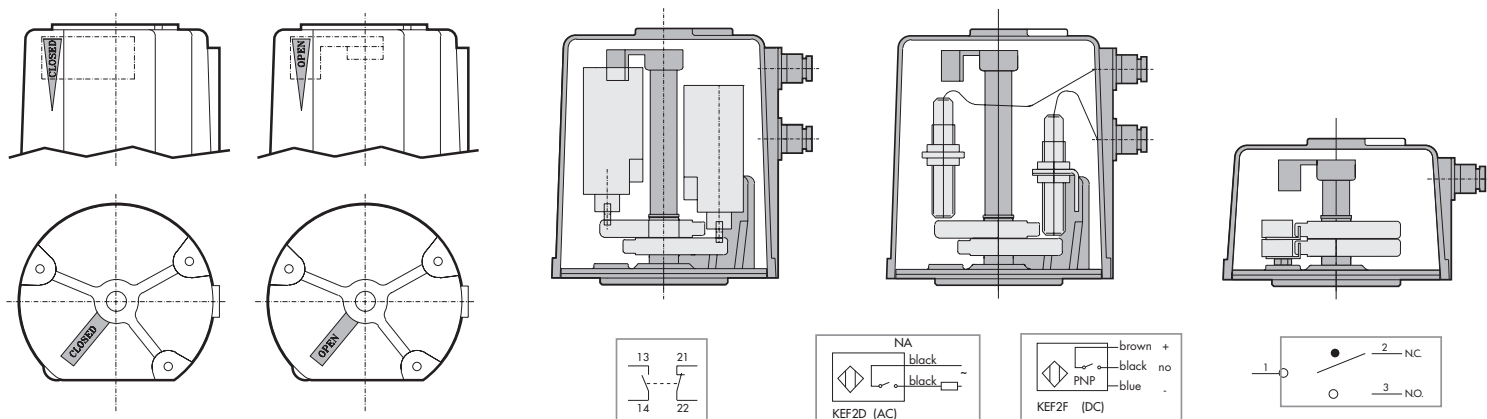
| TYPE | A | B | C | D | E | FA | FB | G | HA | HB | L | M | N | P | Q | R | S | T | U | V | Z | kg | SVA |
|-----------|-----|-----|-----|-----|----|-----|----|------|-----|-----|----|----|----------------|----|-----|----|----|------|----|----|------|-----|---------|
| .-RAPC080 | 90 | 200 | 100 | 84 | 58 | 150 | 75 | 62 | 212 | 137 | 19 | 37 | 22X19 DIN 5482 | 65 | 90 | 54 | 75 | 9 | 50 | 11 | 1/8" | 3,5 | 100÷300 |
| .-RAPC100 | 110 | 210 | 100 | 94 | 58 | 150 | 75 | 62 | 212 | 137 | 19 | 37 | 22X19 DIN 5482 | 65 | 90 | 54 | 75 | 9 | 50 | 11 | 1/8" | 4,5 | 300 |
| .-RAPC125 | 137 | 275 | 170 | 124 | 72 | 165 | 90 | 96,5 | 262 | 187 | 20 | 52 | 28X25 DIN 5482 | 68 | 106 | 60 | 84 | 10,5 | / | / | 1/4" | 10 | 350÷400 |



Accessories for actuators

LIMIT SWITCH

The transparent cover of the limit switches allows to check the position of the actuator (OPEN - CLOSED) from outside.



| | MECHANICS | INDUCTIVE | | MICRO MECHANICS |
|--|--|---------------|-------------------------|------------------------------------|
| STANDARD | KEF2C | KEF2D | KEF2F | KEF2E |
| ATEX | KEH2C | KEH2D | KEH2F | KEH2E* |
| VOLTAGE | 6A - 120V ÷ 3A - 400V AC 2,5A - 24V ÷ 0,25A - 250V DC | 20V ÷ 240V AC | 5V ÷ 40V DC Type PNP | 6A - 125V ÷ 250V AC 6A - 30V DC |
| SUPPLY (fixing hardware included) | | | | |

* only available for A-RAP...XB

ELECTRO-VALVE



Identification

/: Standard (without silencers)
A: ATEX (including 2 silencers)
II 2G Ex h IIB T5 Gb
II 2D Ex h IIIC T100°C Db

Type

C = in line
D = namur

Dimension

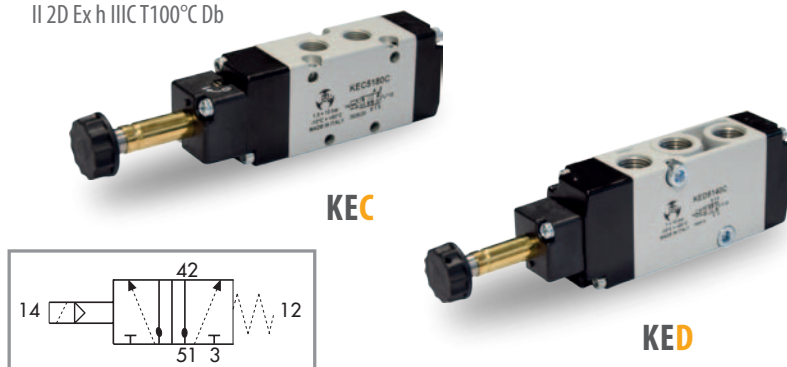
4 = 1/4"
8 = 1/8"

Actuator

1 = RAPC080
RAPC100
4 = RAPC125

Type

C = Standard
D = ATEX



COMBINATION TABLE

| .-RAP | STANDARD | ATEX |
|-------|-----------------------|---------------------------|
| 080 | KEC 5181C - KED 5141C | A-KEC 5181D - A-KED 5141D |
| 100 | KEC 5181C - KED 5141C | A-KEC 5181D - A-KED 5141D |
| 125 | KEC 5144C - KED 5144C | A-KEC 5144D - A-KED 5144D |

Monostabile electro-valve - 5 ways - spring device

SILENCER STD

70H3H24

TYPE

- 1 = KEC5181 - 1/8"
- 3 = KEC5144 - 1/4"
- KED5141 - 1/4"
- KED5144 - 1/4"



SOLENOID COIL

KEB

3

Voltage

- 024 = 24 V
- 048 = 48 V
- 115 = 115 V
- 230 = 230 V

Frequency

- DC: Direct current DC
- AC: Alternating current AC 50/60 Hz

COMBINATION TABLE

| | |
|--------------|--------------|
| KEB 024 DC 3 | KEB 024 AC 3 |
| KEB 048 DC 3 | KEB 048 AC 3 |
| | KEB 115 AC 3 |
| | KEB 230 AC 3 |

SOLENOID COIL ATEX*

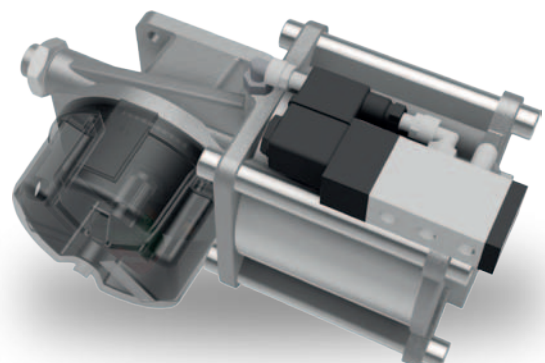
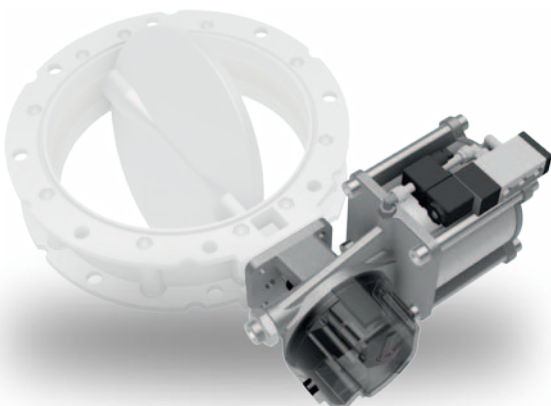
| CODE | POWER SUPPLY | PROTECTION LEVEL | CERTIFICATION |
|----------|--------------|------------------|---|
| 12A01358 | 24V DC | IP65 | II 3G Ex nA IIC Tx Gc II 3D Ex tc IIIC Tx Dc |
| 12A01352 | 24V AC | | |
| 12A01354 | 115V AC | | |



* suitable for conductive and non-conductive powders

ASSEMBLY IN MIX

| STANDARD | ATEX | INTERNAL ASSEMBLY CODE MIX |
|----------|---------|--|
| HAR10 | A-HAR10 | .-RAP 80 ÷ 100 with .-SVAH100 ÷ 300 |
| HAR20 | A-HAR20 | .-RAP125 with .-SVAH350 ÷ 400 |
| HAE10 | A-HAE10 | Electro-valve .-KEC in line with .-RAP |
| HAE20 | A-HAE20 | Electro-valve .-KED Namur with .-RAP |
| HAF10 | A-HAF10 | Mechanical limit switch with .-RAP |
| HAF20 | A-HAF20 | Inductive limit switch with .-RAP |
| HAF30 | A-HAF30 | Micro limit switch with .-RAP |



Slide Valves Combination table



Handling screw

Size \varnothing
 150 - 200 - 250 - 300 - 350
 400 - 500 - 600 - 700 - 800

Construction material
 1: Carbon steel
 2: Stainless steel AISI 304

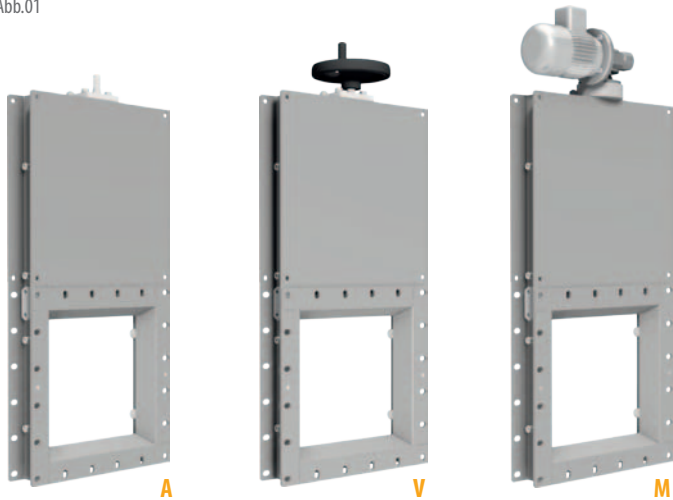
Classification MSD
 H: partly finished machinery
 E: not machinery

Identification

- N: Standard
- A: ATEX II 2/3D Ex h IIIB T135°C Db/Dc X
(marking for version with motor M)
- T: Version suitable for explosive atmosphere
(for versions with bare shaft A and handwheel V)

| ACTUATOR COMBINATION TABLE | | | |
|----------------------------|------------------|----|--|
| A | free | 00 | Bare Shaft |
| V | manual handwheel | 20 | SGAE150 ÷ 350 |
| | | 25 | SGAE400 ÷ 800 |
| M | gear motor | 04 | SGAH150 ÷ 350 = 0,37kW 230/400V 50Hz IP55 CL F |
| | | 08 | SGAH400 ÷ 800 = 0,75kW 230/400V 50Hz IP55 CL F |

Abb.01



| COMBINATION TABLE | | |
|-------------------|----------------|----------------|
| .-SGAE150A.A00 | .-SGAE150A.V20 | .-SGAH150A.M04 |
| .-SGAE200A.A00 | .-SGAE200A.V20 | .-SGAH200A.M04 |
| .-SGAE250A.A00 | .-SGAE250A.V20 | .-SGAH250A.M04 |
| .-SGAE300A.A00 | .-SGAE300A.V20 | .-SGAH300A.M04 |
| .-SGAE350A.A00 | .-SGAE350A.V20 | .-SGAH350A.M04 |
| .-SGAE400A.A00 | .-SGAE400A.V25 | .-SGAH400A.M08 |
| .-SGAE500A.A00 | .-SGAE500A.V25 | .-SGAH500A.M08 |
| .-SGAE600A.A00 | .-SGAE600A.V25 | .-SGAH600A.M08 |
| .-SGAE700A.A00 | .-SGAE700A.V25 | .-SGAH700A.M08 |
| .-SGAE800A.A00 | .-SGAE800A.V25 | .-SGAH800A.M08 |



Identification

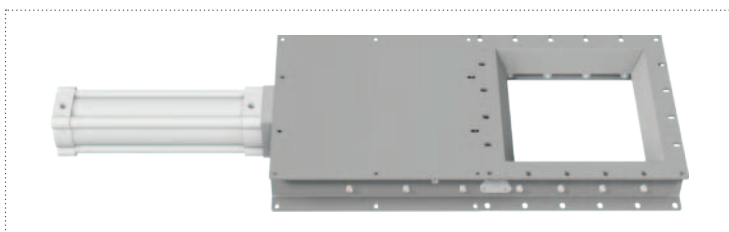
- N: Standard
- A: ATEX II 2/3D Ex h IIIB T135°C Db/Dc X

Pneumatic cylinder

Size \varnothing
 150 - 200 - 250 - 300 - 350
 400 - 500 - 600 - 700 - 800

Construction material
 1: Carbon steel
 2: Stainless steel AISI 304

Cylinder size
 063: \varnothing 63
 080: \varnothing 80
 100: \varnothing 100
 125: \varnothing 125

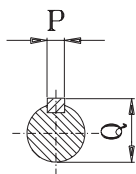


| COMBINATION TABLE | | | |
|-------------------|----------------|----------------|----------------|
| Small series | | Big series | |
| .-SGBH150A.063 | / | .-SGBH400A.100 | .-SGBH400A.125 |
| .-SGBH200A.063 | / | .-SGBH500A.100 | .-SGBH500A.125 |
| .-SGBH250A.063 | .-SGBH250A.080 | .-SGBH600A.100 | .-SGBH600A.125 |
| .-SGBH300A.063 | .-SGBH300A.080 | .-SGBH700A.100 | .-SGBH700A.125 |
| .-SGBH350A.063 | .-SGBH350A.080 | .-SGBH800A.100 | .-SGBH800A.125 |

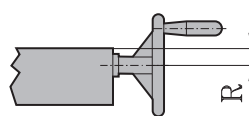
Dimensions

.-SGA...A.A.. / .-SGA...A.V.. / .-SGA...A.M..

Bare shaft



Manual control



Motor Control

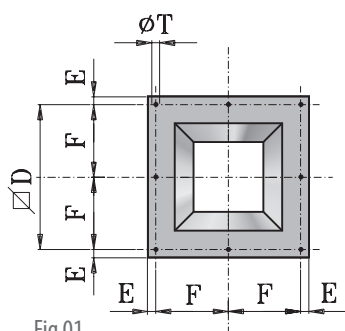
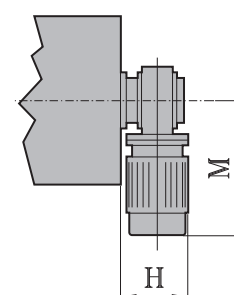
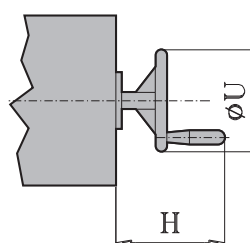
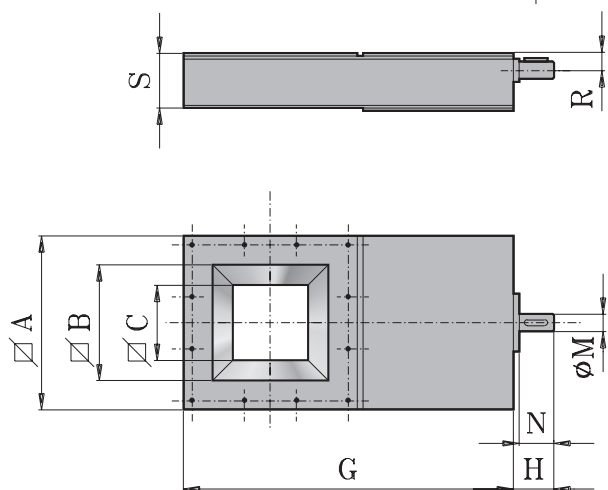
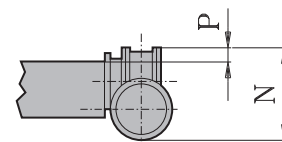


Fig.01

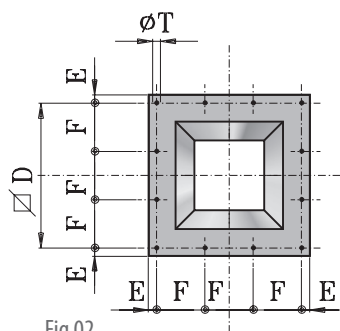


Fig.02

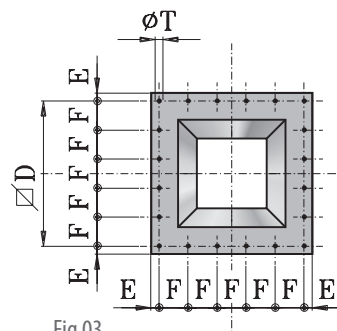


Fig.03

| | | .-SGA....A. | | | | | | | | | | A.. | | | | | V.. | | | | M.. | | | | | | | |
|----------------|------|-------------|-----|-----|-----|------|-------|------|-----|------|----|-----|----|---|------|----|------|-----|----|-----|------|-----|-----|-----|----|------|----|-----|
| TYPE | Fig. | A | B | C | D | E | F | G | S | T | H | M | N | P | Q | R | kg | H | R | U | kg | H | M | N | P | kW | * | kg |
| .-SGA.150A.... | 1 | 261 | 175 | 120 | 230 | 15,5 | 115 | 540 | 93 | 12,5 | 56 | 19 | 41 | 6 | 21,5 | 30 | 16 | 150 | 30 | 200 | 18,8 | 180 | 300 | 200 | 30 | 0,37 | 19 | 24 |
| .-SGA.200A.... | 2 | 311 | 225 | 170 | 280 | 15,5 | 93,3 | 640 | 93 | 12,5 | 56 | 19 | 41 | 6 | 21,5 | 30 | 19 | 150 | 30 | 200 | 22,5 | 180 | 300 | 200 | 30 | 0,37 | 26 | 27 |
| .-SGA.250A.... | 2 | 361 | 275 | 220 | 330 | 15,5 | 110 | 740 | 93 | 12,5 | 56 | 19 | 41 | 6 | 21,5 | 30 | 25,5 | 150 | 30 | 200 | 27,5 | 180 | 300 | 200 | 30 | 0,37 | 32 | 32 |
| .-SGA.300A.... | 2 | 431 | 325 | 270 | 385 | 23 | 128,3 | 860 | 93 | 12,5 | 56 | 19 | 41 | 6 | 21,5 | 30 | 32,5 | 150 | 30 | 200 | 35 | 180 | 300 | 200 | 30 | 0,37 | 39 | 39 |
| .-SGA.350A.... | 3 | 481 | 375 | 320 | 445 | 18 | 89 | 960 | 93 | 12,5 | 56 | 19 | 41 | 6 | 21,5 | 30 | 38,5 | 150 | 30 | 200 | 42 | 180 | 300 | 200 | 30 | 0,37 | 45 | 52 |
| .-SGA.400A.... | 3 | 533 | 425 | 350 | 500 | 16,5 | 100 | 1090 | 133 | 12,5 | 85 | 24 | 41 | 8 | 27 | 45 | 62,5 | 190 | 45 | 250 | 69,5 | 220 | 340 | 225 | 30 | 0,75 | 43 | 96 |
| .-SGA.500A.... | 3 | 653 | 525 | 450 | 600 | 26,5 | 120 | 1300 | 133 | 15 | 85 | 24 | 41 | 8 | 27 | 45 | 85 | 190 | 45 | 250 | 92 | 220 | 340 | 225 | 30 | 0,75 | 54 | 128 |
| .-SGA.600A.... | 3 | 753 | 625 | 550 | 700 | 26,5 | 140 | 1500 | 133 | 15 | 85 | 24 | 41 | 8 | 27 | 45 | 117 | 190 | 45 | 250 | 125 | 220 | 340 | 225 | 30 | 0,75 | 65 | 143 |
| .-SGA.700A.... | 3 | 895 | 725 | 650 | 825 | 35 | 165 | 1720 | 133 | 15 | 85 | 24 | 41 | 8 | 27 | 45 | 147 | 190 | 45 | 250 | 150 | 220 | 340 | 225 | 30 | 0,75 | 75 | 173 |
| .-SGA.800A.... | 3 | 995 | 825 | 750 | 925 | 35 | 185 | 1920 | 133 | 15 | 85 | 24 | 41 | 8 | 27 | 45 | 192 | 190 | 45 | 250 | 195 | 220 | 340 | 225 | 30 | 0,75 | 86 | 218 |

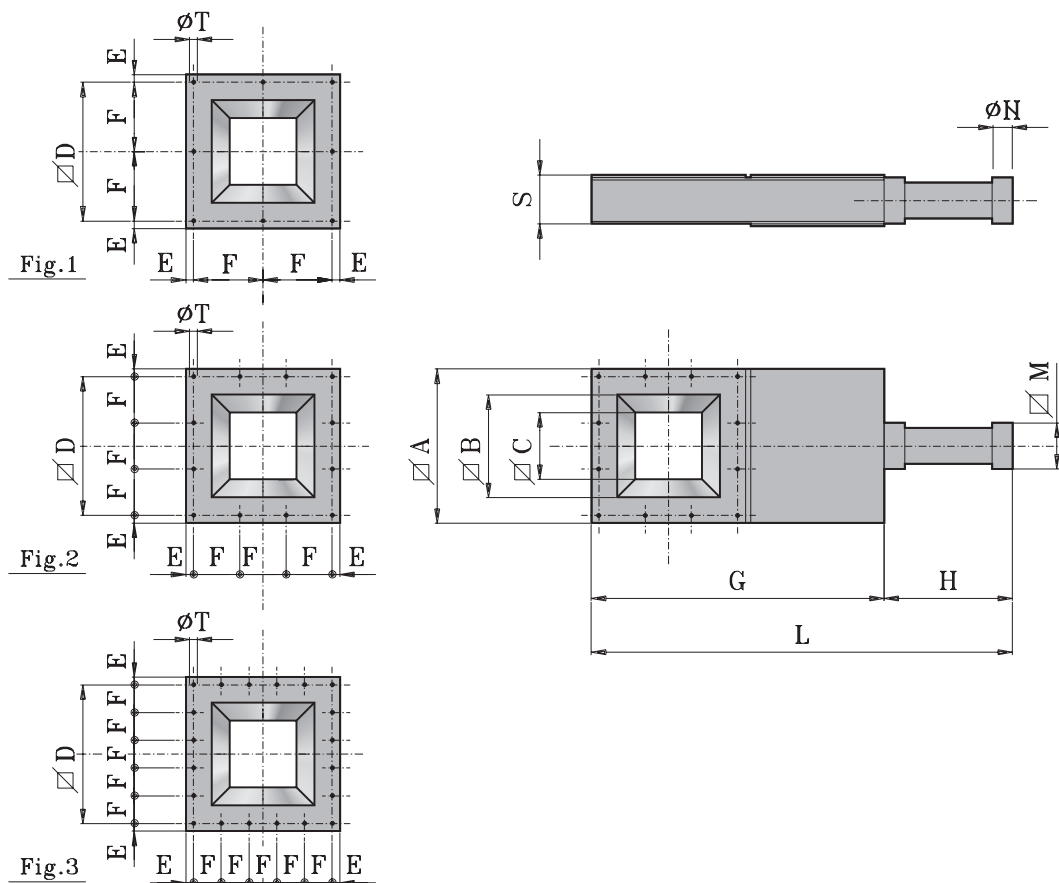
* Duration in seconds for one single opening or closing



Dimensions

.-SGB...A....

Pneumatic control



| TYPE | Fig. | A | B | C | D | E | F | G | H | L | M | ** | N | *** | S | T | kg |
|----------------|------|-----|-----|-----|-----|------|-------|------|-----|------|-----|-----------|------|------|-----|------|------|
| .-SGBH150A.063 | 1 | 261 | 175 | 120 | 230 | 15,5 | 115 | 540 | 275 | 815 | 75 | Ø 63X150 | 3/8" | 2,8 | 93 | 12,5 | 18 |
| .-SGBH200A.063 | 2 | 311 | 225 | 170 | 280 | 15,5 | 93,3 | 640 | 325 | 965 | 75 | Ø 63X200 | 3/8" | 3,7 | 93 | 12,5 | 21,5 |
| .-SGBH250A.063 | 2 | 361 | 275 | 220 | 330 | 15,5 | 110 | 740 | 375 | 1115 | 75 | Ø 63X250 | 3/8" | 4,7 | 93 | 12,5 | 26,5 |
| .-SGBH250A.080 | 2 | 361 | 275 | 220 | 330 | 15,5 | 110 | 740 | 412 | 1152 | 95 | Ø 80X250 | 3/8" | 7,5 | 93 | 12,5 | 28,5 |
| .-SGBH300A.063 | 2 | 431 | 325 | 270 | 385 | 23 | 128,3 | 860 | 425 | 1285 | 75 | Ø 63X300 | 3/8" | 5,6 | 93 | 12,5 | 34,5 |
| .-SGBH300A.080 | 2 | 431 | 325 | 270 | 385 | 23 | 128,3 | 860 | 462 | 1322 | 95 | Ø 80X300 | 3/8" | 9 | 93 | 12,5 | 38 |
| .-SGBH350A.063 | 3 | 481 | 375 | 320 | 445 | 18 | 89 | 960 | 475 | 1435 | 75 | Ø 63X350 | 3/8" | 6,5 | 93 | 12,5 | 42 |
| .-SGBH350A.080 | 3 | 481 | 375 | 320 | 445 | 18 | 89 | 960 | 512 | 1472 | 95 | Ø 80X350 | 3/8" | 10,3 | 93 | 12,5 | 44 |
| .-SGBH400A.100 | 3 | 533 | 425 | 350 | 500 | 16,5 | 100 | 1090 | 545 | 1635 | 120 | Ø 100X400 | 1/2" | 18,8 | 133 | 12,5 | 70 |
| .-SGBH400A.125 | 3 | 533 | 425 | 350 | 500 | 16,5 | 100 | 1090 | 595 | 1685 | 150 | Ø 125X400 | 1/2" | 29,4 | 133 | 12,5 | 76 |
| .-SGBH500A.100 | 3 | 653 | 525 | 450 | 600 | 26,5 | 120 | 1300 | 645 | 1945 | 120 | Ø 100X500 | 1/2" | 23,6 | 133 | 15 | 90 |
| .-SGBH500A.125 | 3 | 653 | 525 | 450 | 600 | 26,5 | 120 | 1300 | 695 | 1995 | 150 | Ø 125X500 | 1/2" | 36,8 | 133 | 15 | 97 |
| .-SGBH600A.100 | 3 | 753 | 625 | 550 | 700 | 26,5 | 140 | 1500 | 745 | 2245 | 120 | Ø 100X600 | 1/2" | 28,3 | 133 | 15 | 122 |
| .-SGBH600A.125 | 3 | 753 | 625 | 550 | 700 | 26,5 | 140 | 1500 | 795 | 2295 | 150 | Ø 125X600 | 1/2" | 44,2 | 133 | 15 | 128 |
| .-SGBH700A.100 | 3 | 895 | 725 | 650 | 825 | 35 | 165 | 1720 | 845 | 2565 | 120 | Ø 100X700 | 1/2" | 33 | 133 | 15 | 158 |
| .-SGBH700A.125 | 3 | 895 | 725 | 650 | 825 | 35 | 165 | 1720 | 895 | 2615 | 150 | Ø 125X700 | 1/2" | 51,5 | 133 | 15 | 169 |
| .-SGBH800A.100 | 3 | 995 | 825 | 750 | 925 | 35 | 185 | 1920 | 945 | 2865 | 120 | Ø 100X800 | 1/2" | 37,7 | 133 | 15 | 204 |
| .-SGBH800A.125 | 3 | 995 | 825 | 750 | 925 | 35 | 185 | 1920 | 995 | 2915 | 150 | Ø 125X800 | 1/2" | 58,9 | 133 | 15 | 216 |

** Diameter and length of the pneumatic cylinder ISO 15552, up to size 350 delivered mounted - starting from size 400 delivered unmounted .

*** Air consumption (NI) at 6 bar for each operation.



Accessories



Identification

- /:** Standard (without silencers)
- A:** Atex (without silencers)
- II 2G Ex h IIB T5 Gb
- II 2D Ex h IIIC T100°C Db

Size

- 8** = 1/8"
- 4** = 1/4"

Type

- C** = Standard
- D** = Atex

Monostabile electro-valve
5 ways - spring device



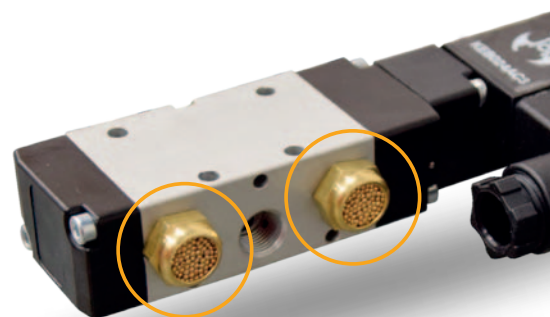
| COMBINATION TABLE | | |
|-------------------|------------------|--------------------|
| Ø CYLINDER | STANDARD | ATEX |
| Ø 63 | KEC5182 C | A-KEC5182 D |
| Ø 80 | KEC5182 C | A-KEC5182 D |
| Ø 100 | KEC5142 C | A-KEC5142 D |
| Ø 125 | KEC5142 C | A-KEC5142 D |

SILENCER



STANDARD

- 1** = KEC5182C - 1/8"
- 3** = KEC5142C - 1/4"



SOLENOID COIL



Solenoid coil and

Voltage

- 024** = 24 V
- 048** = 48 V
- 115** = 115 V
- 230** = 230 V

Frequency

- DC:** Direct current DC
- AC:** Alternating current AC 50/60 Hz

| COMBINATION TABLE | |
|-------------------|--------------|
| KEB 024 DC 3 | KEB 024 AC 3 |
| KEB 048 DC 3 | KEB 048 AC 3 |
| | KEB 115 AC 3 |
| | KEB 230 AC 3 |

SOLENOID COIL ATEX*

| CODE | POWER SUPPLY | PROTECTION LEVEL | CERTIFICATION |
|----------|--------------|------------------|---|
| 12A01358 | 24V DC | IP65 | II 3G Ex nA IIC Tx Gc II 3D Ex tc IIIC Tx Dc |
| 12A01352 | 24V AC | | |
| 12A01354 | 115V AC | | |



* suitable for conductive and non-conductive powders



Accessories

LIMIT SWITCH IP67



Dimension

R1 (magnetic) = SGB 150÷800 (20V÷220V AC / DC)
(20V÷220V DC)

P (inductive) = SGA 150 (20V÷220V AC) NO

Q (inductive) = SGA 200÷800 (20V-220V AC) NO

S (inductive) = SGA 150 (10V÷30V D.C.) PNP-NO

T (inductive) = SGA 200÷800 (10V÷30V DC) PNP-NO

LIMIT SWITCH ATEX IP67



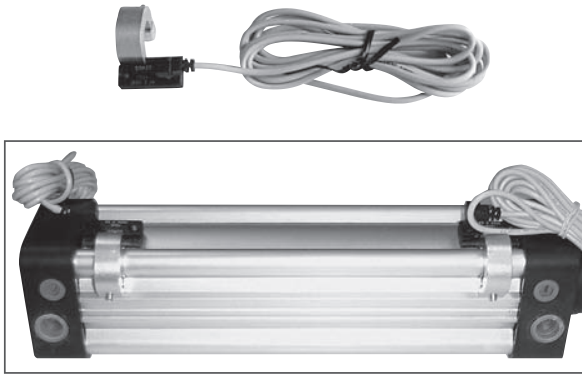
Dimension

R (magnetic) = A-SGB 150÷800 (10V÷110V AC / DC)
II 3G Ex nC IICT4 Gc / II 3D Ex tc IIIC 110°C Dc

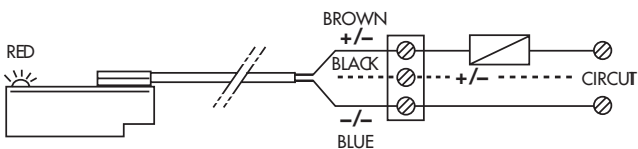
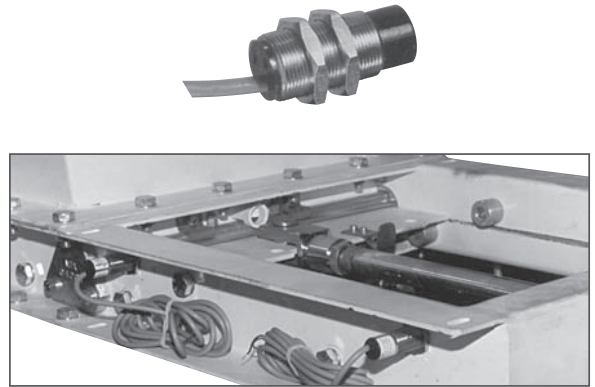
S (inductive) = A-SGA / A-SGB 150 (20V DC) PNP-NO
II 3G Ex nAc IICT6 X / II 3D Ex tc IIIC T80°C X

T (inductive) = A-SGA / A-SGB 150 200÷800 (24V DC) PNP-NO
II 3G Ex nAc IICT6 X / II 3D Ex tc IIIC T80°C X

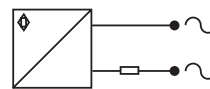
MAGNETIC



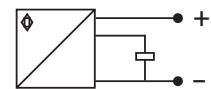
INDUCTIVE



R1 - R



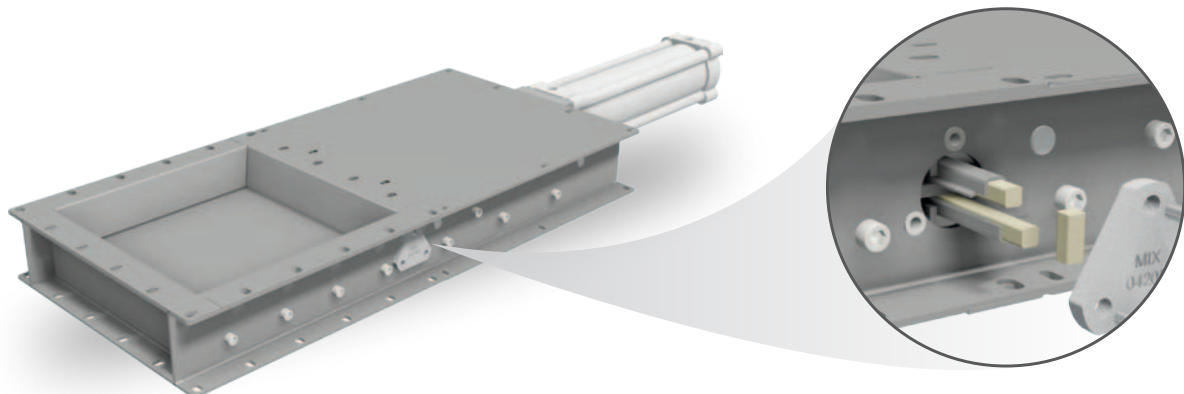
P - Q



S - T

SEAL SGA - SGB

The MIX packing box consists of two self-centering aluminium flanges which hold two shaped stainless steel profiles containing two square packings in a compressed adjustable position, which is also accessible when the valve is already installed. From size 250 onwards, the slide valve is equipped with screws, which allow to adjust the packing seal compression.



Pinch Valve Combination table

SMA



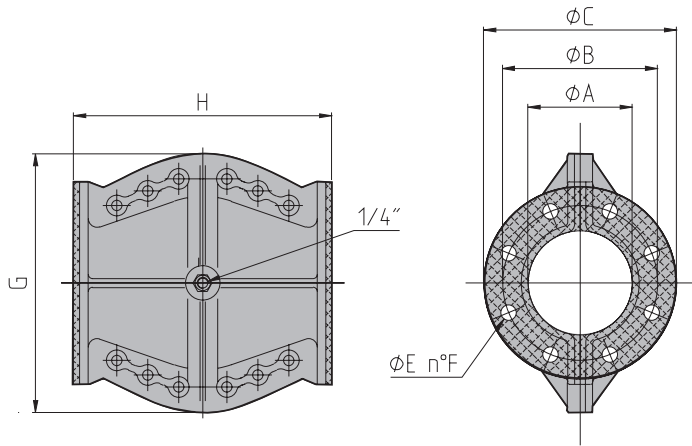
A

1

Nominal diameter
080 = 80 mm
100 = 100 mm

Material for the seal
 Anti-abrasive rubber

Construction material
 Body and flange in aluminium alloy



| TYPE | A | B | C | E | F | G | H | kg |
|---------|-----|-----|-----|----|---|-----|-----|-----|
| SMA 080 | 80 | 160 | 200 | 18 | 4 | 254 | 252 | 5,8 |
| SMA 100 | 100 | 180 | 220 | 18 | 8 | 302 | 300 | 8,6 |

DATA SHEET

Working pressure: max. 3 bar

Control pressure: 2 bar higher than the working pressure

Temperature: min. -10°C / max. +80°C

ELECTRO-VALVE

KEC

51

8

7

C

Monostabile electro-valve
 5 ways - spring device

Dimension
8 = 1/8"

Standard



INTERNAL ASSEMBLY CODE MIX

HSE10

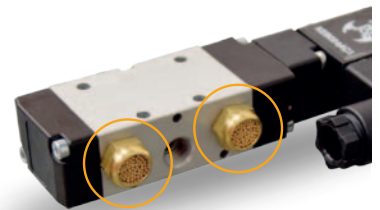
KEC with SMA

SILENCER

70H3H24

1

TYPE
1 = KEC5181 - 1/8"



SOLENOID COIL

KEB



3

Solenoid coil and

Voltage
024 = 24 V
048 = 48 V
115 = 115 V
230 = 230 V

Frequency
DC: Direct current DC
AC: Alternating current AC 50/60 Hz



COMBINATION TABLE

| | |
|--------------|--------------|
| KEB 024 DC 3 | KEB 024 AC 3 |
| KEB 048 DC 3 | KEB 048 AC 3 |
| | KEB 115 AC 3 |
| | KEB 230 AC 3 |



Accessories

ROUND FLANGE FOR SMA

This flange is welded on the inlet feeding pipe of silo and the pinch valve is bolted to this flange.

KFT

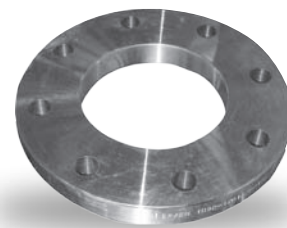
Round flange

Nominal diameter
080 = 80 mm
100 = 100 mm

D
D = UNI PN10

Construction material

1 = Carbon steel
2 = Stainless steel AISI 304



PRESSURE SWITCH

It is used to control the air circuit of the pinch valve's control solenoid valve. It controls the compressed air pressure, making sure that it is higher than the minimum set point of 4 bar

SSP

Pressure switch

2

Type of contact
NC/NO

4

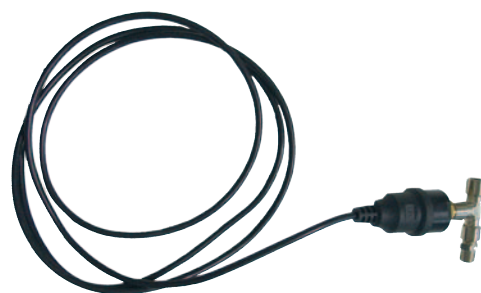
Dimension
Fittings 1/4"

A

Voltage
24 - 230V AC

1

Equipment
Standard with cable



TECHNICAL DATA

| Protection level | Working temperature | Voltage | Max applicable pressure | Pre-settled pressure | Current of NC Contact (resistive load / inductive load) | Current of NO Contact (resistive load / inductive load) |
|------------------|---------------------|-------------|-------------------------|----------------------|---|---|
| IP56 | -20°C +70°C | Max 250V AC | 10bar | 4bar | 15 A / 1,5 A | 9 A / 0,9 A |

PRESSURE REDUCER

This unit, supplied together with a gauge and dehumidifying filter, makes it possible: to adapt system pressure to the correct operating pressure of either pinch valve whilst reducing the consumption of air; to increase the life of the pinch valve seal thanks to working with the correct pressure.

SKR

Pressure reducer

4

Fitting dimension
4 = 1/4"

E

Working pressure
0,5÷ 8,5 bar

5

Components
Pressure reducer, gauge, dehumidifying filter

B

Fittings used
With fittings for the SMA valve



TECHNICAL DATA

| Discharge of condensate | Weight | Fitting | Condensate separation | Working temperature | Vessel capacity |
|-------------------------|---------|---------|-----------------------|---------------------|-----------------|
| Semi-automatic | 0,12 kg | G1/4" | > 90% | Max: +50°C | 12 cm3 |

Valves for Silos Combination table

SV



C2

C

1

1

Connection flange

Q: Squared connection made of carbon steel
T: Round connection made of carbon steel
 Fig.01

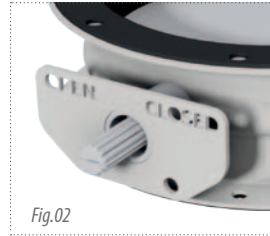
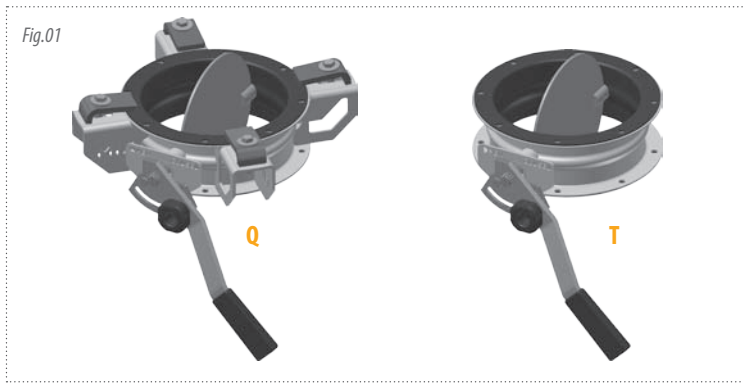
Size
250 - 300

Splined drive shaft
DIN 5482
 Fig.02

Material of body and pivoting
1: Carbon steel painted
 RAL 9006

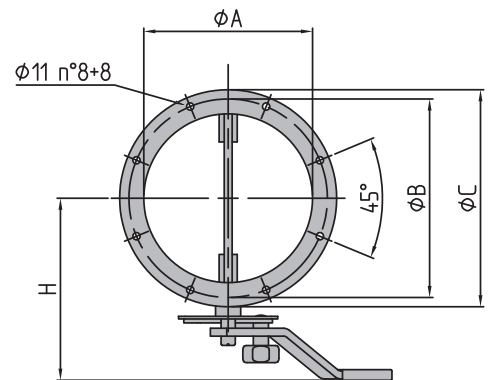
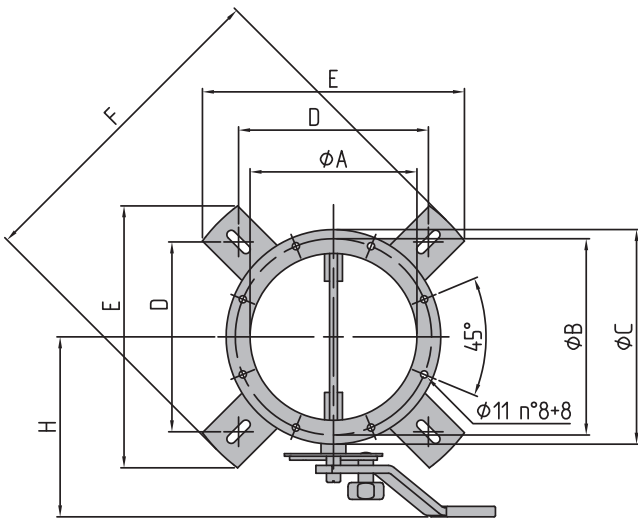
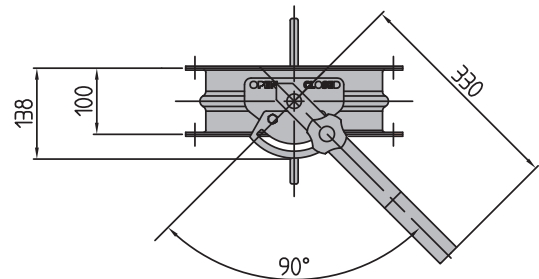
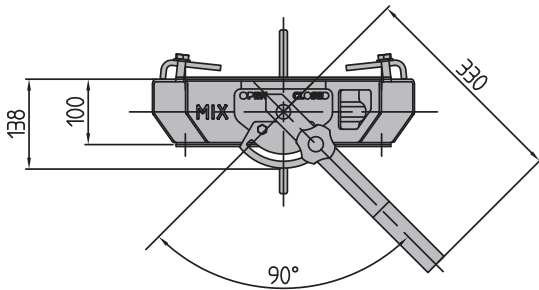
Standard powder seal in atmospheric pressure

Material of seal
1: NBR quality seal for continuous operation
 (- 15°C+100°C)



SVQ

SVT



| TYPE | A | B | C | D | E | F | H | kg |
|--------|-----|-----|-----|-----|-----|-----|-----|------|
| SVQ250 | 250 | 300 | 328 | 290 | 400 | 500 | 275 | 14,2 |
| SVQ300 | 300 | 350 | 378 | 350 | 490 | 620 | 300 | 16,7 |

| TYPE | A | B | C | D | E | F | H | kg |
|--------|-----|-----|-----|---|---|---|-----|------|
| SVT250 | 250 | 300 | 328 | - | - | - | 275 | 9,4 |
| SVT300 | 300 | 350 | 378 | - | - | - | 300 | 11,2 |



Dotted lines for writing notes.

INTERCEPTION SYSTEMS AND COMPONENTS FOR PLANTS

QUALITY
SERVICE
TECHNOLOGY
INNOVATION

www.mixitaly.com



MIX S.r.l. - 41032 CAVEZZO (MO) - Via Volturmo, 119/A - ITALY
Tel. +39 0535.46577 - Fax +39 0535.46580 - info@mixitaly.com