



**MIX S.r.l.**  
MIXING SYSTEMS AND  
COMPONENTS FOR PLANTS

[www.mixitaly.com](http://www.mixitaly.com)

# Filtering Division

Single Shot



# Combination table

## BAG VERSION



### Nominal filtering surface

**009:** 0,9 m<sup>2</sup>  
**015:** 1,5 m<sup>2</sup>

### Operating Condition

**CP:** Atmospheric  
**XCP:** Vacuum  
Max -0,6 bar

### Filter elements maarial\*

**A:** Standard polyester (450 g/m<sup>2</sup>)  
**B:** Antistatic polyester (450 g/m<sup>2</sup>)  
\* Other fabric available on request

### Costruction material

- Cover:  
**SFY..C:** alluminium  
**SFY..D:** Carbon steel  
**SFY..H:** Carbon steel  
- Upper body: AISI 304  
- Central body: AISI 304  
- Clip: Carbon steel  
- Bag mounting plate:  
**2:** AISI 304  
**5:** Carbon steel

### Air Outlet Type

**C:** Free discharge into atmosphere  
**D:** Flanged lateral cylindrical unload set-up for conveying pipe  
**H:** Fan assisted discharge

TIMER KQL	CODE	TENSION
	12A01102	24VDC
	12A01122	24VAC
	12A01142	115VAC
	12A01162	230VAC
Mounting the KQL on the filter	<b>HFT10</b>	

## CARTRIDGE VERSION



### Nominal filtering surface

**018\*\*:** 1,8 m<sup>2</sup>    **050:** 5 m<sup>2</sup>  
**035:** 3,5 m<sup>2</sup>    **065:** 6,5 m<sup>2</sup>

\*\* Only with fabric "B"

### Operating Condition

**CP:** Atmospheric  
**XCP:** Vacuum  
Max -0,6 bar

### Air Outlet Type

**C:** Free discharge into atmosphere  
**D:** Side outlet with flange for retro fitting of outlet spigot  
**H:** Fan assisted discharge

### Costruction material

- Cover:  
**SFY..C:** alluminium  
**SFY..D:** Carbon steel  
**SFY..H:** Carbon steel  
- Upper body: AISI 304  
- Central body: AISI 304  
- Clip: Carbon steel  
- Cartridge mounting plate:  
**2:** AISI 304  
**5:** Carbon steel

### Filtering elements material

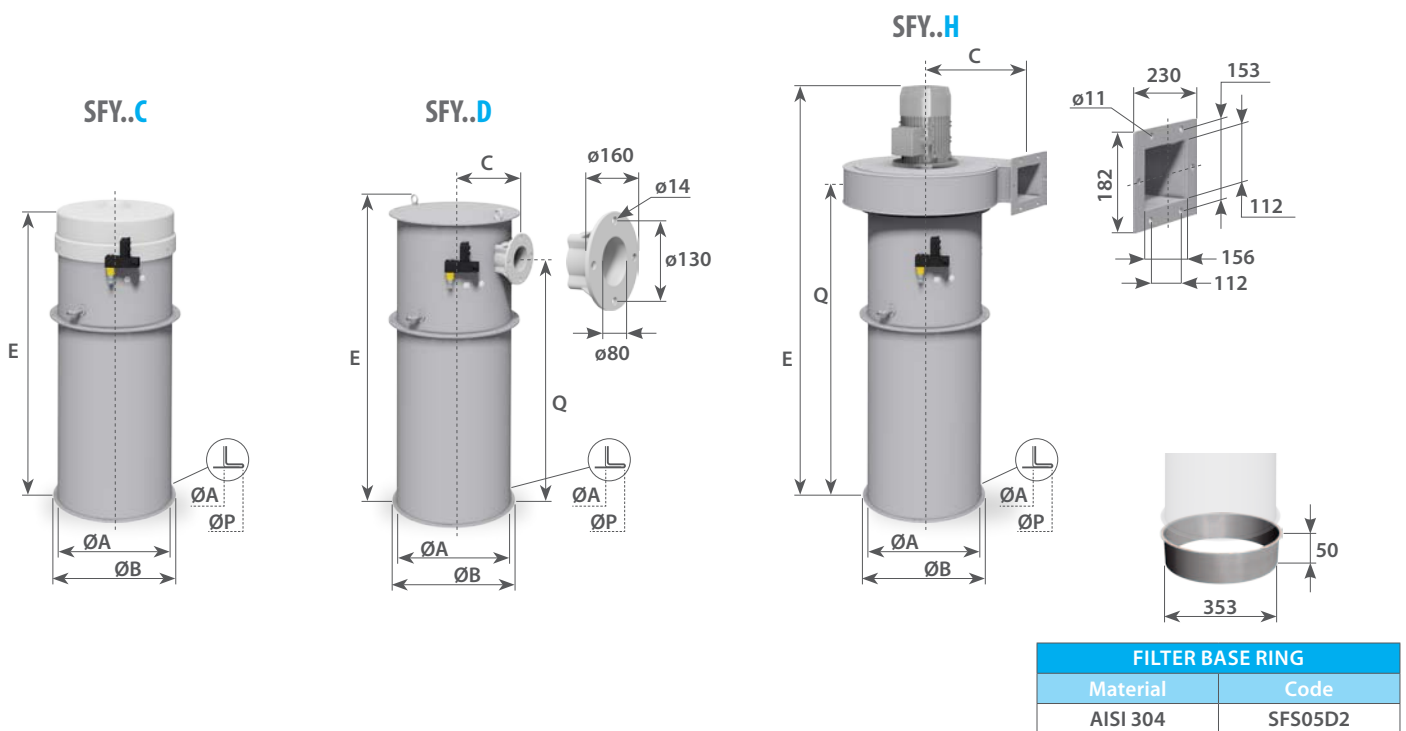
**A:** Premium Polyester  
**B:** Antistatic Premium Polyester

# Dimensions

## BAG VERSION

\* Average air consumption in Nm<sup>3</sup>/h for use with displayed pressure

TYPE....C	m <sup>2</sup>	Fig.	A	B	C	E	P	Q	Nm <sup>3</sup> /h*	bar*	kg	
SFYM4C009	0,9	1	352	400	-	950	380	-	0,3	6	23	
SFYM4C015	1,5	1	352	400	-	1325	380	-	0,3	6	28	
TYPE....D	m <sup>2</sup>	Fig.	A	B	C	E	P	Q	Nm <sup>3</sup> /h*	bar*	kg	
SFYM4D009	0,9	2	352	400	235	970	380	810	0,3	6	24	
SFYM4D015	1,5	2	352	400	235	1345	380	1185	0,3	6	28	
TYPE....H	m <sup>2</sup>	Fig.	A	B	C	E	P	Q	kW	Nm <sup>3</sup> /h*	bar*	kg
SFYM4H009	0,9	3	352	400	250	1360	380	1045	1,1	0,3	6	60
SFYM4H015	1,5	3	352	400	250	1735	380	1420	1,1	0,3	6	65



## CARTRIDGE VERSION

TYPE....C	m <sup>2</sup>	Fig.	A	B	C	E	P	Q	Nm <sup>3</sup> /h*	bar*	kg	
SFYF4C018..	1,8	1	352	400	-	630	380	-	0,25	5	20	
SFYF4C035..	3,5	1	352	400	-	955	380	-	0,25	5	24	
SFYF4C050..	5	1	352	400	-	1080	380	-	0,25	5	26	
SFYF4C065..	6,5	1	352	400	-	1330	380	-	0,25	5	28	
TYPE....D	m <sup>2</sup>	Fig.	A	B	C	E	P	Q	Nm <sup>3</sup> /h*	bar*	kg	
SFYF4D018..	1,8	2	352	400	235	650	380	486	0,25	5	20	
SFYF4D035..	3,5	2	352	400	235	975	380	811	0,25	5	24	
SFYF4D050..	5	2	352	400	235	1100	380	936	0,25	5	26	
SFYF4D065..	6,5	2	352	400	235	1350	380	1186	0,25	5	28	
TYPE....H	m <sup>2</sup>	Fig.	A	B	C	E	P	Q	kW	Nm <sup>3</sup> /h*	bar*	kg
SFYF4H018..	1,8	3	352	400	250	1035	380	720	1,1	0,25	5	55
SFYF4H035..	3,5	3	352	400	250	1360	380	1045	1,1	0,25	5	60
SFYF4H050..	5	3	352	400	250	1485	380	1170	1,1	0,25	5	62
SFYF4H065..	6,5	3	352	400	250	1735	380	1420	1,1	0,25	5	65

\* Average air consumption in Nm<sup>3</sup>/h for use with displayed pressure

# FILTERING SYSTEMS AND COMPONENTS FOR PLANTS

QUALITY  
SERVICE  
TECHNOLOGY  
INNOVATION

[www.mixitaly.com](http://www.mixitaly.com)



**MIX S.r.l.** - 41032 CAVEZZO (MO) - Via Volturmo, 119/A - ITALY  
Tel. +39 0535.46577 - Fax +39 0535.46580 - [info@mixitaly.com](mailto:info@mixitaly.com)